

- Close supervision is necessary when any appliance is used by or near children.
- To avoid injury, do not contact moving parts or hot parts such as heaters, reflectors, lamp bulbs, and the like.
- Always unplug an appliance from an outlet when not in use, before putting on or taking off parts, and before cleaning. Never yank cord to pull plug from outlet. Grasp the plug and pull to disconnect.
- Do not use an appliance for other than intended use. The use of attachments not recommended or sold by the appliance manufacturer may cause an unsafe condition.
- Do not install or store the appliance where it will be exposed to the weather or to temperatures below freezing.
- Make sure the UV mounted on a tank is securely installed before operating it.
- Read and observe all the important notices on the UV.
- If an extension cord is necessary, a cord with a proper rating should be used. A cord rated for less amperes or watts than the appliance rating may overheat. Care should be taken to arrange the cord so that it will not be tripped or pulled.
- For US version, this appliance has a polarized plug (one blade is wider than the other). As a safety feature, this plug will fit into a polarized outlet only one way. If the plug does not fit fully in the outlet, reverse the plug. If it still does not fit, contact a qualified electrician. Never use with an extension cord unless plug can be fully inserted. Do not attempt to defeat this safety feature.
- Do not use or repair this product by yourself if the power cord or power adaptor is damaged. These are to be repaired or replaced by the manufacturer, its service agent, or a similarly qualified person to avoid a hazard.

CAUTION - Unplug the cord before moving or servicing this appliance

WARNING – Do not expose eyes or skin to unshielded UV lamps. UV lamps emit UV radiation which may cause eye or skin injury.

SAVE THESE INSTRUCTIONS

INSTALLATION INSTRUCTIONS:

1. Carefully remove the unit from the packing materials. Check for damage. If damaged, return product to your retailer immediately.
2. Identify components (Ref. Fig.3)
 - 1 sealed UV bulb unit with attachable clip and control box. Control box with built-in GREEN LED indicator
3. Clip this UV to the water outlet of Power filters to start operation (Refer to Fig.1)

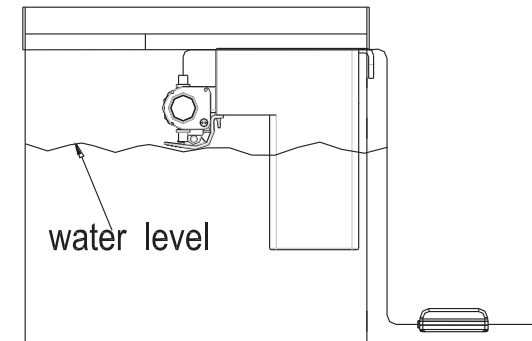


Fig.1

4. To avoid the risk of shorting by water vapor, the LED control box **MUST** be on the outside of the tank but **NEVER** on the top of the tank. (Refer to Fig.2)
5. To operate, plug in the power cord into a wall outlet; the LED on the control box will turn on to confirm operation.

OPERATING HINT: For UV to be effective, water contact time inside the bulb assembly must be maximized. For this reason, the WATER FLOW through the BULB assembly is RESTRICTED and may seem SLOW, but that is INTENDED for efficacy.

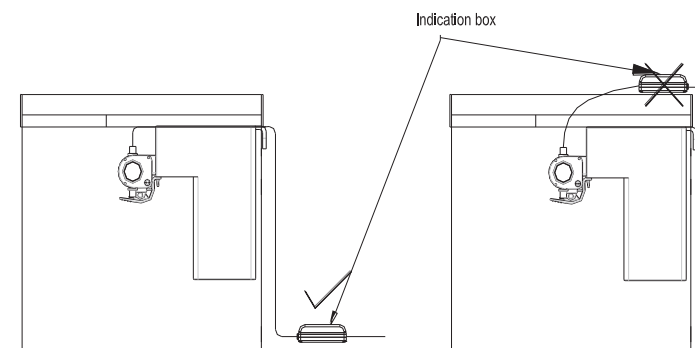


Fig.2

UV bulbs typically provide service for 6 to 9 months.

To maximize UV bulb life, we recommend to use the GKM when you have a green water problem, then switch OFF after your water becomes perfectly clear; or use for only 8 hours a day. This will help bulb life !

UV LAMP UNIT REPLACEMENT:

AA's UV features an LED UV Lamp indicator on the Control box.
LED ON = UV Lamp is GOOD; LED OFF = time to replace the unit.

CAUTION: DON'T attempt to expose UV light directly to the eyes or skin as an unshielded UV lamp may cause injury!

Note: Do not try to disassemble the Lamp Assembly, it is sealed and not serviceable.

TROUBLE SHOOTING GUIDELINES:

SYMPTOM	SOLUTION
If the UV lamp doesn't work	<ul style="list-style-type: none">- Check if the unit is plugged in- If the LED on the control box is OFF, a new Unit is required.
If there's still too much algae	<ul style="list-style-type: none">- For larger aquariums (over 80L / 20 US Ga) Please use our 9W or 24W GKM.- Minimize your "lights on" time (14hours max per day) Fish need time to rest! Algae growth is promoted by lighting.- AA's Algae Cure (Model: AA003M) also helps to control algae growth.

Note : AA Aquarium declares adherence to the applicable provisions of US Federal requirements, including the Code of Federal Regulations, Performance Standard for Light-Emitting Products, CFR Title 21 Part 1040, Chapter 1, Subchapter J, Radiological Health.

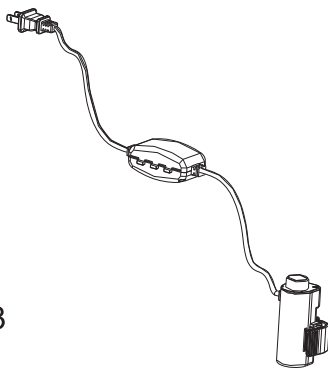
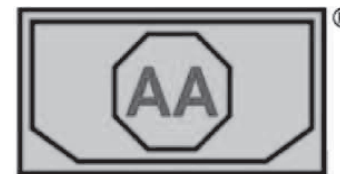


Fig.3

To see more great "AA" products,
please visit us at www.aa-aquarium.com
Comments and Inquiries:
Please write to us at info@aa-aquarium.com



Clip-On UV Instruction Booklet

Thank you for your purchase! AA's GKM Clip-On UV is a state-of-the-art design that can significantly reduce disease-causing agents and algae in your aquarium. Before operating this unit, please read the following safety precautions and operation instructions carefully.

Features:

- Converts most filters into a UV filter
- Simple Installation – simply clip onto your filter
- LED Signals need for new replacement
- Patented Pending

IMPORTANT SAFETY INSTRUCTIONS:

WARNING – To guard against injury, basic safety precautions should be observed, including the following:

READ AND FOLLOW ALL SAFETY INSTRUCTIONS:

Danger – To avoid possible electric shock, special care should be taken since water is employed in the use of aquarium equipment.

For each of the following situations, do not attempt repairs by yourself; return the appliance to an authorized service facility for service or discard the appliance:

- If the appliance falls into water, DON'T reach for it! First unplug it and then retrieve it. If electrical components of the appliance get wet, unplug the appliance immediately (Non-immersible equipment only)
- If the appliance shows any sign of abnormal water leakage, immediately unplug it from the power source (Immersible equipment only).
- Carefully examine the UV after installation. It should not be plugged if there is water on parts not intended to be wet.
- Do not operate the UV if it has a damaged cord or plug, or if it is malfunctioning or has been dropped or damaged in any manner.

To avoid the possibility of the appliance plug or receptacle getting wet, always position the aquarium stand and tank to one side of a wall-mounted receptacle. This helps to prevent water from dripping onto the receptacle or plug. A "drip loop", shown in the figure below, should be arranged by the user for each cord connecting an aquarium appliance to a receptacle. The "drip loop" is that part of the cord below the level of the receptacle, or the connector if an extension cord is used, to prevent water traveling along the cord and coming in contact with the receptacle.

If the plug or receptacle does get wet, DON'T unplug the cord. Disconnect the fuse or circuit breaker that supplies power to the appliance. Then, unplug and examine for presence of water in the receptacle.